

blacklinesafety

G7 EXO

Universal Mount and Accessories Guide



CONTENTS

- G7 EXO UNIVERSAL MOUNT 4
- OTHER MOUNTING OPTIONS AVAILABLE 5
- ELEVATED MOUNTING INSTRUCTIONS 6
 - Universal Mount..... 7
 - Converting the Universal Mount to L-Shape 8
 - Mounting to a Wall..... 9
 - Mounting to a Vertical or Horizontal Support..... 9
 - Universal Mount and Accessories in Elevated Mount Configuration (Front View) 11
 - Universal Mount and Accessories in Elevated Mount Configuration (Back View)..... 12
- GROUND MOUNTING INSTRUCTIONS..... 13
 - EXO Base (Standoff)..... 14
 - EXO Base (Standoff) Flag..... 15
 - Universal Mount and Accessories in Ground Mount Configuration (Front View) 16
 - Universal Mount and Accessories in Ground Mount Configuration (Back View)..... 17
 - Mast Mount Kit 18
 - Siren (Metal)..... 19
 - Siren (Plastic) 19
 - Solar Panel Mounting Kit (All-In-One) 20
 - Gas Tank Mount Kit..... 22
 - Mounting Safety Tether..... 23
- LEARN MORE 24

G7 EXO UNIVERSAL MOUNT

The Universal Mount Kit is our most versatile option to mount G7 EXO. It can be converted to provide support in several configurations: on the ground, attached to an elevated support structure or to a wall.

With the Universal Mount, you have the option to add accessories such as Gas Tank Mounts, a Solar Panel and a Siren/Horn.



Universal Mount Kit
ACC-G7/EXO-UMK



Vertical Support



Horizontal Support



Ground Mount
(EXO Base (Standoff) required)

NOTE: Users are responsible for placing and mounting G7 EXO and accessories in a safe manner. Tools may be required.

OTHER MOUNTING OPTIONS AVAILABLE

If **no accessories are required**, other mounting options include: the EXO Base (Standoff) for speed of ground deployment, a Survey Tripod for greater visibility and a Hanging Mount for fast elevated deployment.



EXO Base (Standoff)
ACC-G7/EXO-STANDOFF



Survey Tripod
ACC-G7/EXO-TRIPOD



Hanging Mount
ACC-G7/EXO-HMK
(Horizontal and Vertical Support)

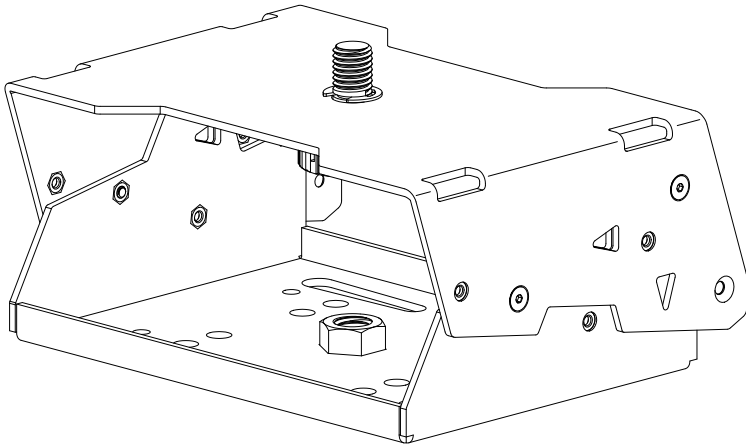
ELEVATED MOUNTING INSTRUCTIONS

NOTE: The Universal Mount must be converted to an L-Shape configuration before mounting it to a horizontal support, vertical support or to a wall. For additional safety, use the Safety Tether for all elevated mounting.



UNIVERSAL MOUNT

SKU: ACC-G7EXO-UMK



The Universal Mount is required to add EXO accessories. It can be used when EXO is mounted on the ground or on an elevated support.

Elevated Mounting: Convert the Universal Mount to an L-Shape configuration. Refer to **Converting the Universal Mount to L-shape** in this guide.

Ground Mounting: Install the Universal Mount onto the EXO Base (Standoff). Refer to **Ground Mounting Instructions** in this guide.

Included In Box



1x
Universal

Ground Mounting



6x
U-bolts (3)



12x
Washers (3 sizes)



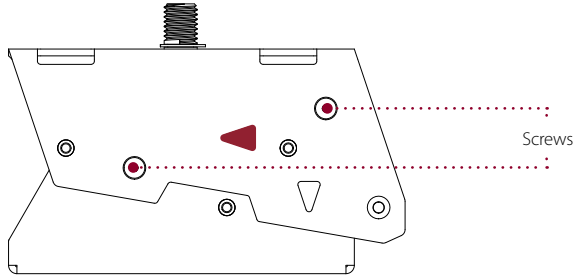
12x
Teeth (3 sizes)

Elevated Mounting

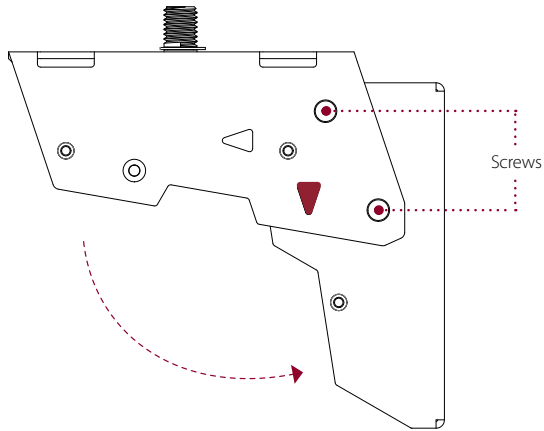


1x
Safety Tether

CONVERTING THE UNIVERSAL MOUNT TO L-SHAPE



1. Remove the mount from the box.
2. Remove the two hex M5 screws on both sides of the mount.



3. Swivel the bottom mount and align the triangles to create an L-Shape configuration and reveal the new screw holes.
4. Secure the L-Shape configuration by screwing in the previously removed M5 screws into the new screw holes.

MOUNTING TO A WALL

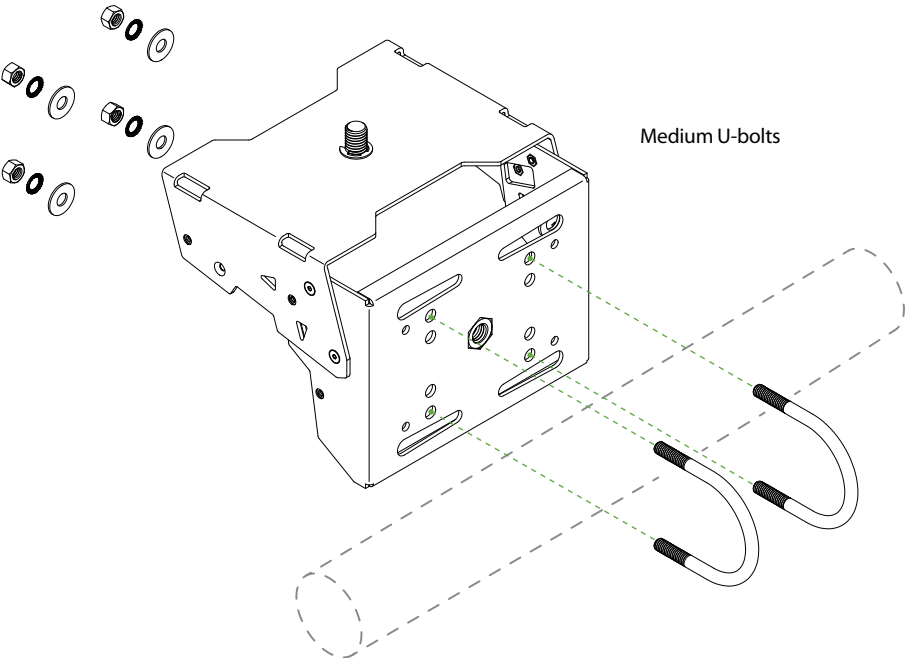
When mounting to a wall, make sure the wall can support the Universal Mount, EXO and any additional accessories.

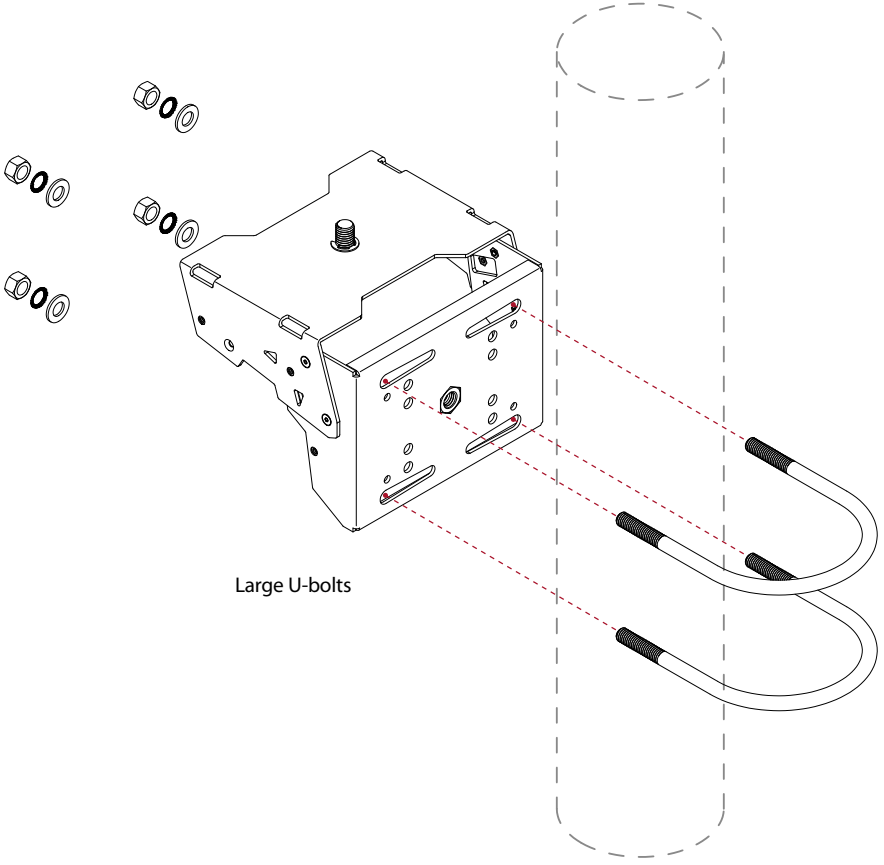
NOTE: Equipment and tools for wall mounting are not included in this kit.

MOUNTING TO A VERTICAL OR HORIZONTAL SUPPORT

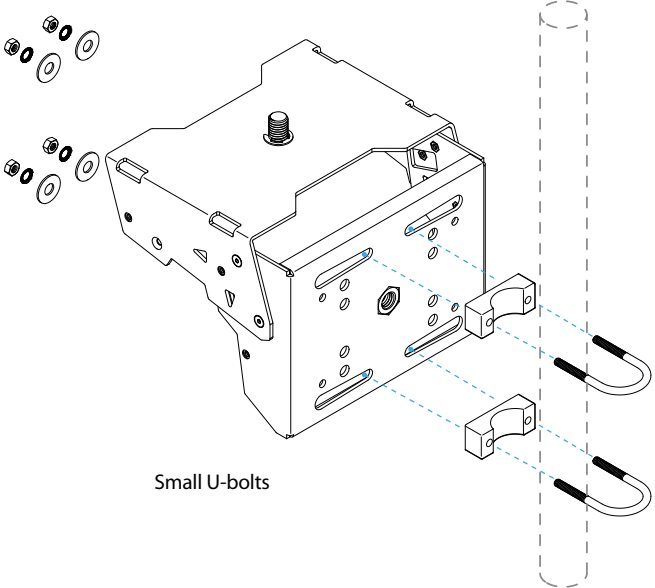
Three sizes of U-bolts are included in the kit. Refer to the following Vertical and Horizontal Support diagrams to determine which U-bolts are required for the size and orientation of your support.

Once secure on an elevated support, the mount is ready to add accessories.



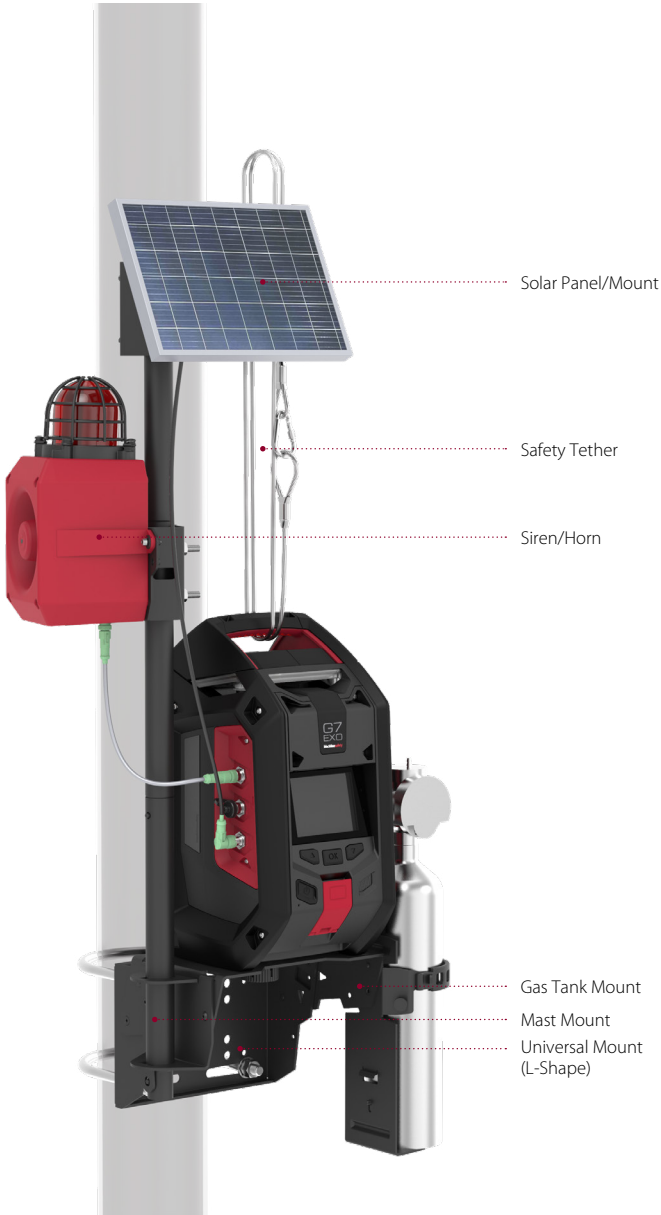


Large U-bolts

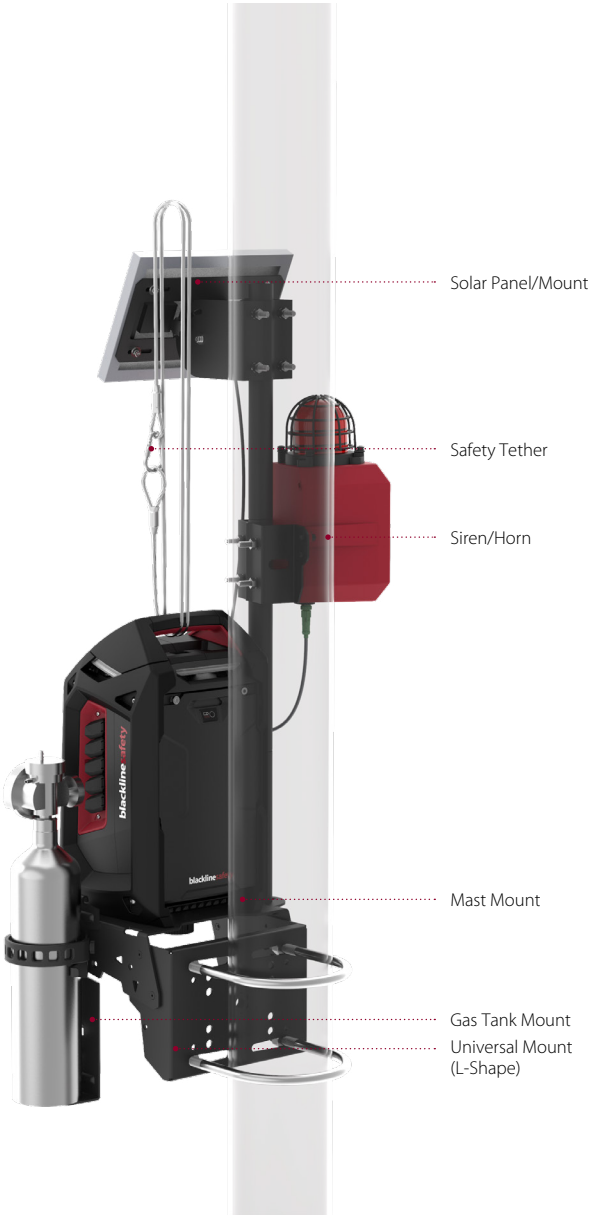


Small U-bolts

UNIVERSAL MOUNT AND ACCESSORIES IN ELEVATED MOUNT CONFIGURATION (FRONT VIEW)



UNIVERSAL MOUNT AND ACCESSORIES IN ELEVATED MOUNT CONFIGURATION (BACK VIEW)



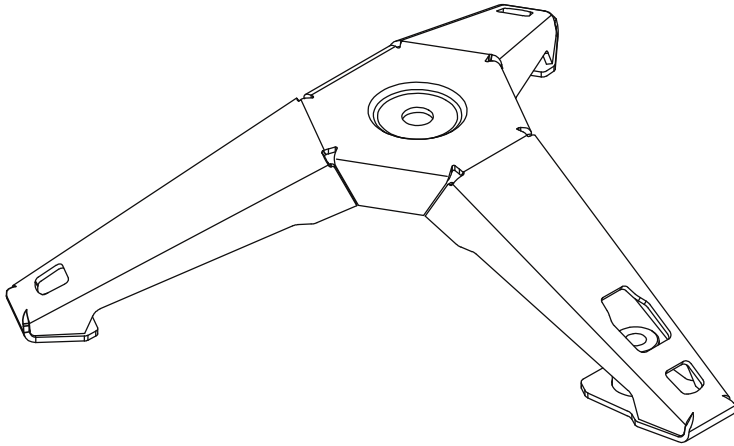
GROUND MOUNTING INSTRUCTIONS

NOTE: EXO Base (Standoff) is required for ground mounting and adding accessories.



EXO BASE (STANDOFF)

SKU: ACC-G7EXO-STANDOFF



EXO can be installed on EXO Base (Standoff) for a stand-alone quick ground deployment. If adding accessories, the Universal Mount is required. **NOTE:** Universal Mount sold separately.

Ground mount only

1. Place EXO Base (Standoff) on a secure surface.
2. Lower EXO onto the top of the EXO Base (Standoff), turn the base's screw knob counter clockwise to secure.

Ground mount with accessories

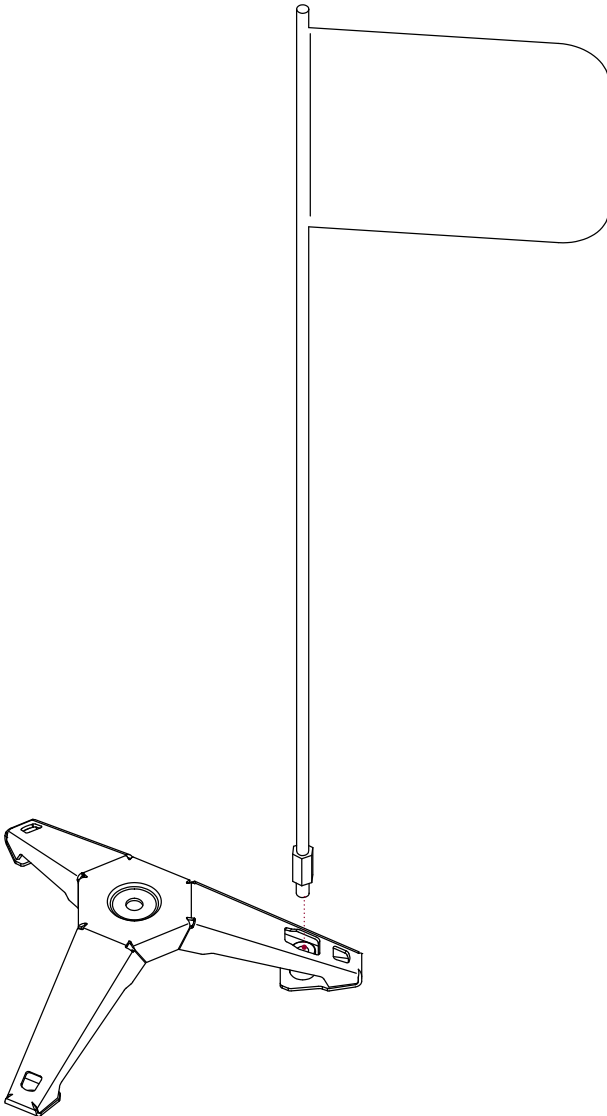
1. Remove the Universal Mount from the box (no conversion needed) and secure onto the EXO Base (Standoff) by turning the base's screw knob counter clockwise.
2. Once the base and mount are planted on a secure surface, lower EXO onto the top of the Universal Mount. Turn the mount's screw knob counter clockwise to secure.
3. Add EXO Universal Mount accessories as required.

EXO BASE (STANDOFF) FLAG

SKU: ACC-STANDOFF-FLAG

EXO Base (Standoff) is required to attach the flag. Remove the bolt and thread the bottom of flagpole into the designated EXO Base (Standoff) hole.

NOTE: EXO Base (Standoff) sold separately.



UNIVERSAL MOUNT AND ACCESSORIES IN GROUND MOUNT CONFIGURATION (FRONT VIEW)

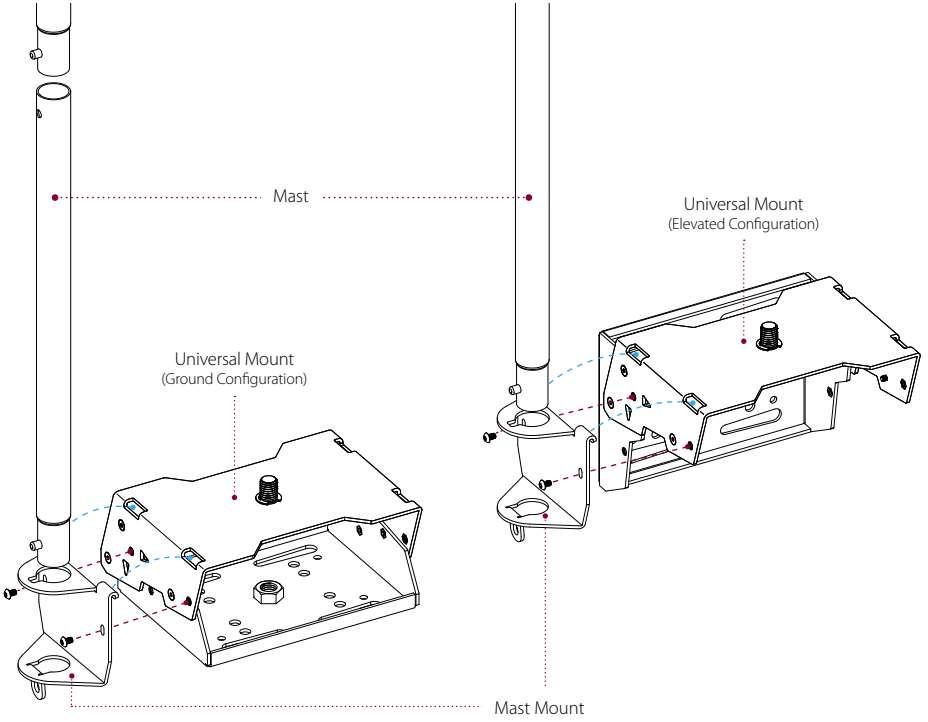


UNIVERSAL MOUNT AND ACCESSORIES IN GROUND MOUNT CONFIGURATION (BACK VIEW)



MAST MOUNT KIT

SKU: ACC-G7EXO-UMK-MAST



Follow these instructions for both ground and elevated mounting.

1. Hook the Mast Mount onto the Universal Mount and secure with two hex screws.
2. Slide one of the Mast Tubes into the Mast Mount's opening until the lock pin clicks.
3. Slide the second Mast Tube into the first one until the lock pin clicks.
4. Add EXO Universal Mount accessories as required.

Included In Box



2x
Mast Tube



1x
Mast Mount



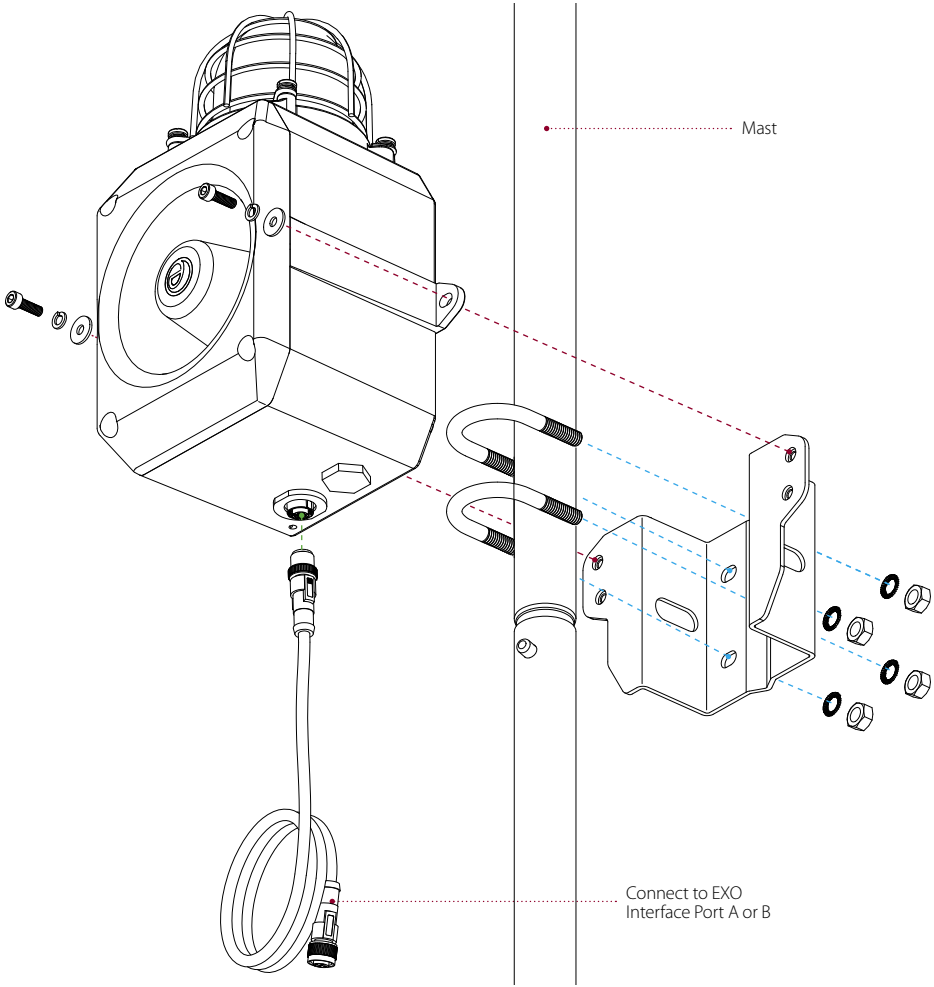
2x
M5 × 0.8 mm

SIREN (METAL)

SKU: ACC-G7EXO-SIREN-M

SIREN (PLASTIC)

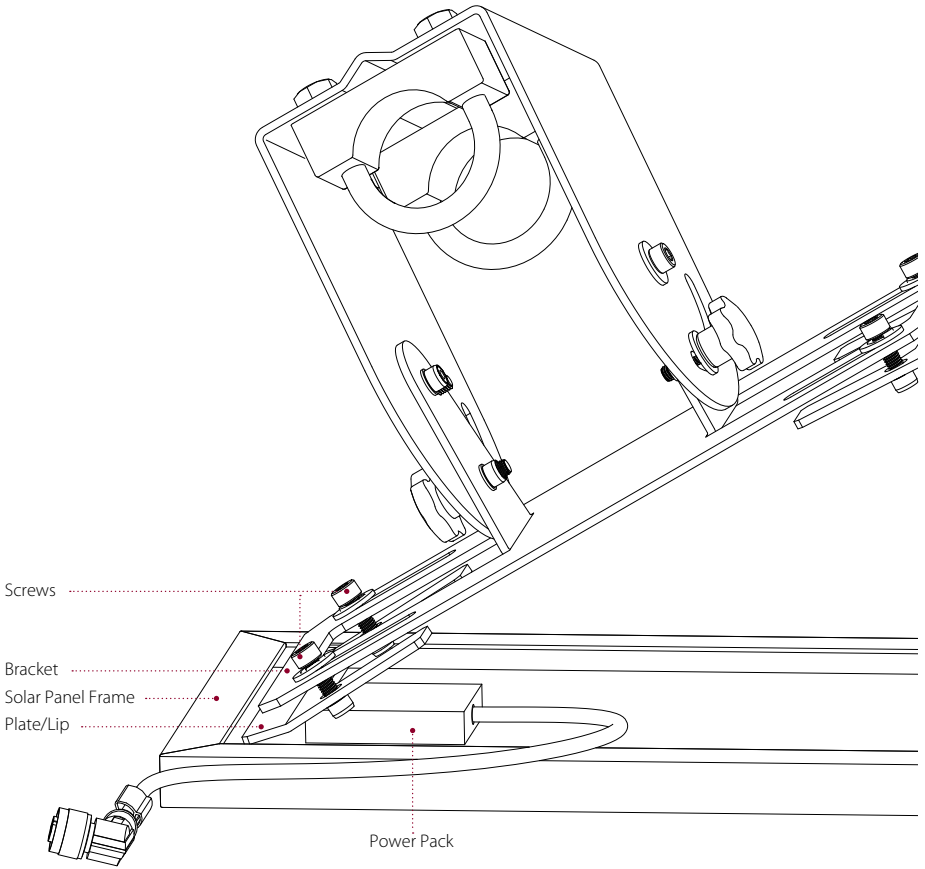
SKU: ACC-G7EXO-SIREN-P



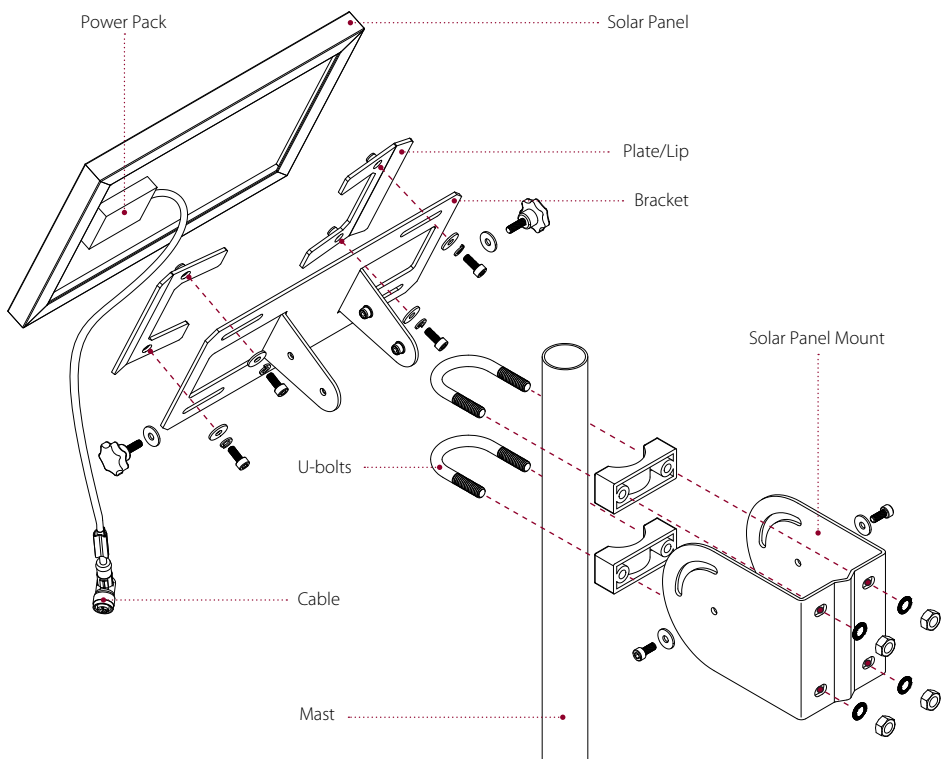
1. Install the Mast kit (refer to **Mast Kit** instructions in this guide).
2. Loosen the nuts on the back of the Siren Mount and slide the Mast Tube through the U-bolts to the desired position.
3. Tighten the nuts on the back until secure.
4. Connect the cable to the bottom of the siren and one of EXO's Interface ports.

SOLAR PANEL MOUNTING KIT (ALL-IN-ONE)

SKU: ACC-G7EXO-UMK-SOLAR-MOUNT-KIT



1. Install the Mast Kit (refer to **Mast Kit** instructions in this guide).
2. Place the solar panel face down on a flat surface.
3. Loosen the four screws on the Solar Panel Bracket to create a gap between the Bracket and Plate/Lip.
4. Start with the Power Pack side: angle the Plate/Lip under the solar panel's frame, and the Bracket over top. Slide the other side in and adjust to fit.
5. Center the Plate/Lip, Bracket and Solar Panel. Tighten the four screws until secure.



6. Loosen the U-bolt nuts on the back of the Solar Panel Mount and slide the Mast Tube through the U-bolts to the desired position. Tighten the U-bolt nuts until secure.
7. Connect the Solar Panel cable to EXO's power port.

Included In Box



1x
Solar Panel



1x
Solar Panel
Mount



2x
Mast Tube



1x
Mast Mount



2x
M5 0.8 mm
Screw

Available Individually

Solar Panel (Only)

SKU: ACC-G7EXO-SOLAR

Solar Panel Mount (Only)

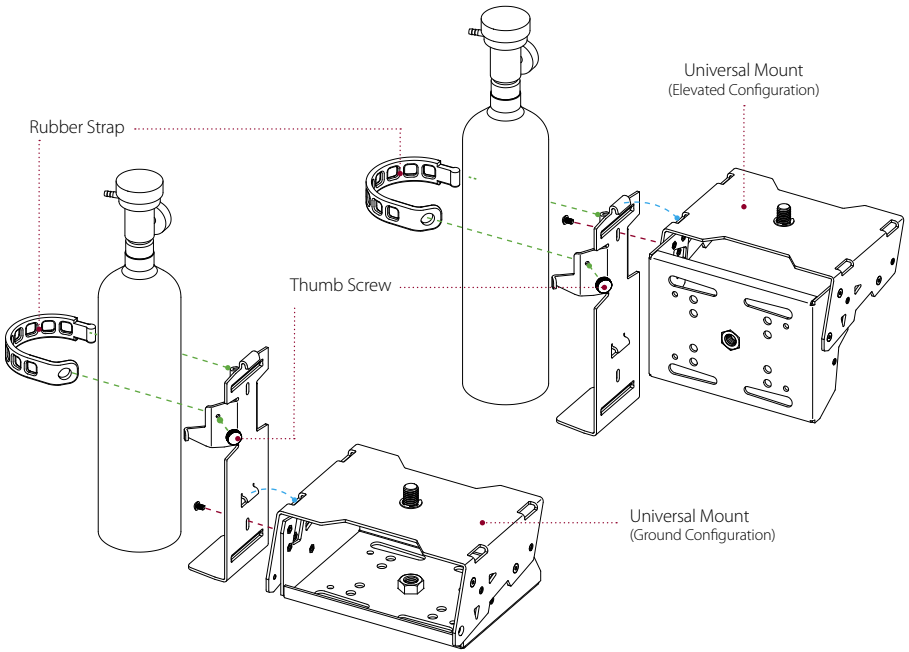
SKU: ACC-G7EXO-UMK-SOLAR MOUNT

Mast Kit

SKU: ACC-G7EXO-UMK-MAST

GAS TANK MOUNT KIT

SKU: ACC-G7EXO-UMK-GAS



Follow these instructions for both ground and elevated mounting.

1. Use the appropriate hook as shown in the diagram to attach the Gas Tank Mount to the side of the Universal Mount. Secure the Gas Tank Mount with one of the hex screws provided.
2. Use the thumb screw to fasten and attach the rubber strap to the Gas Tank Mount as shown.
3. Fit the gas tank into the holder and hook the Rubber Strap at the appropriate notch. Tighten or loosen as necessary.
4. **Optional:** repeat steps to install additional gas tank mounts.

Included In Box



1x
Gas Tank Mount



1x
Rubber Strap



1x
Thumb Screw



2x
M5 0.8 mm Screw

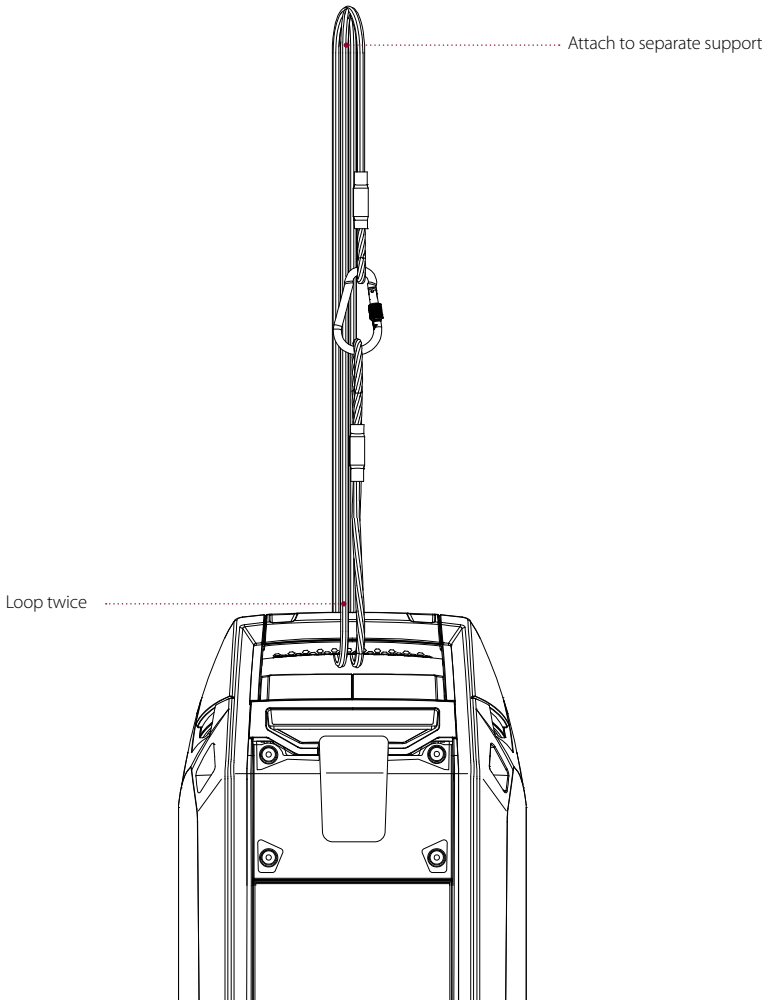
MOUNTING SAFETY TETHER

SKU: ACC-G7EXO-SC

For added safety, loop the tether twice around the handle of EXO and a structural support to secure it from dropping.

The tether can also be used on a ground mount or elevated mount as a lock to ensure EXO is not moved or stolen.

▲ WARNING: Do not hang EXO from Mounting Safety Tether.



LEARN MORE

Visit support.blacklinesafety.com to download the **G7 EXO technical user manual** with descriptions of how to use and configure your device and for detailed specifications.

North America (24 hours)

Toll-free: 1-877-869-7212 | support@blacklinesafety.com

Europe

Phone: +44 1787 222684 | eusupport@blacklinesafety.com

International

Phone: +1-403-451-0327 | support@blacklinesafety.com

blacklinesafety

www.blacklinesafety.com

Wherever there's a
need for safety

We're there

www.blacklinesafety.com